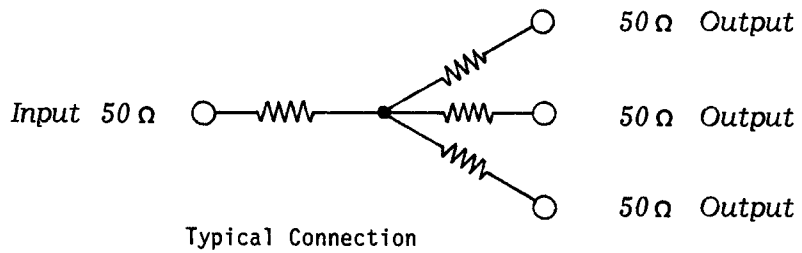
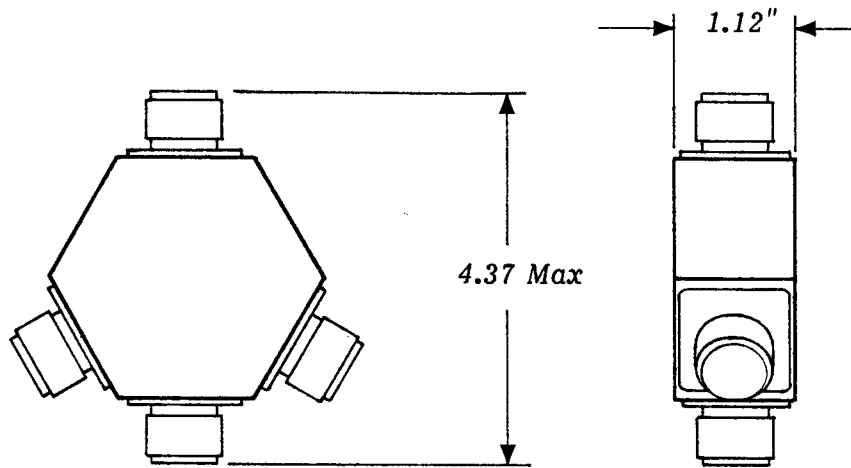


MODEL PS-30A

Power Splitter/Combiner



Bandwidth: DC to 500MHz (3 db points)

Power Capability: 2 watts

Insertion Loss: 9 db

Reflection Coefficient: < 1.2:1

Impedance: 50Ω_{in}, 50Ω_{out} (all ports)

Connectors: HN (female)