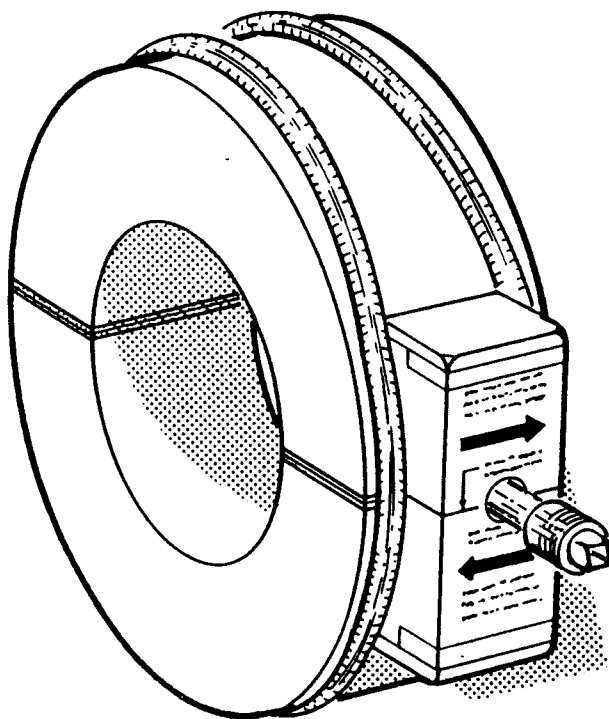


PRODYN ID-10

AFWL  
CPM-1A INDUCTIVE CURRENT PROBE  
( $\dot{I}$  SENSOR)

PURPOSE

The CPM-1A  $\dot{I}$  sensor is used to measure the first time derivative of the total current through the aperture of the sensor.

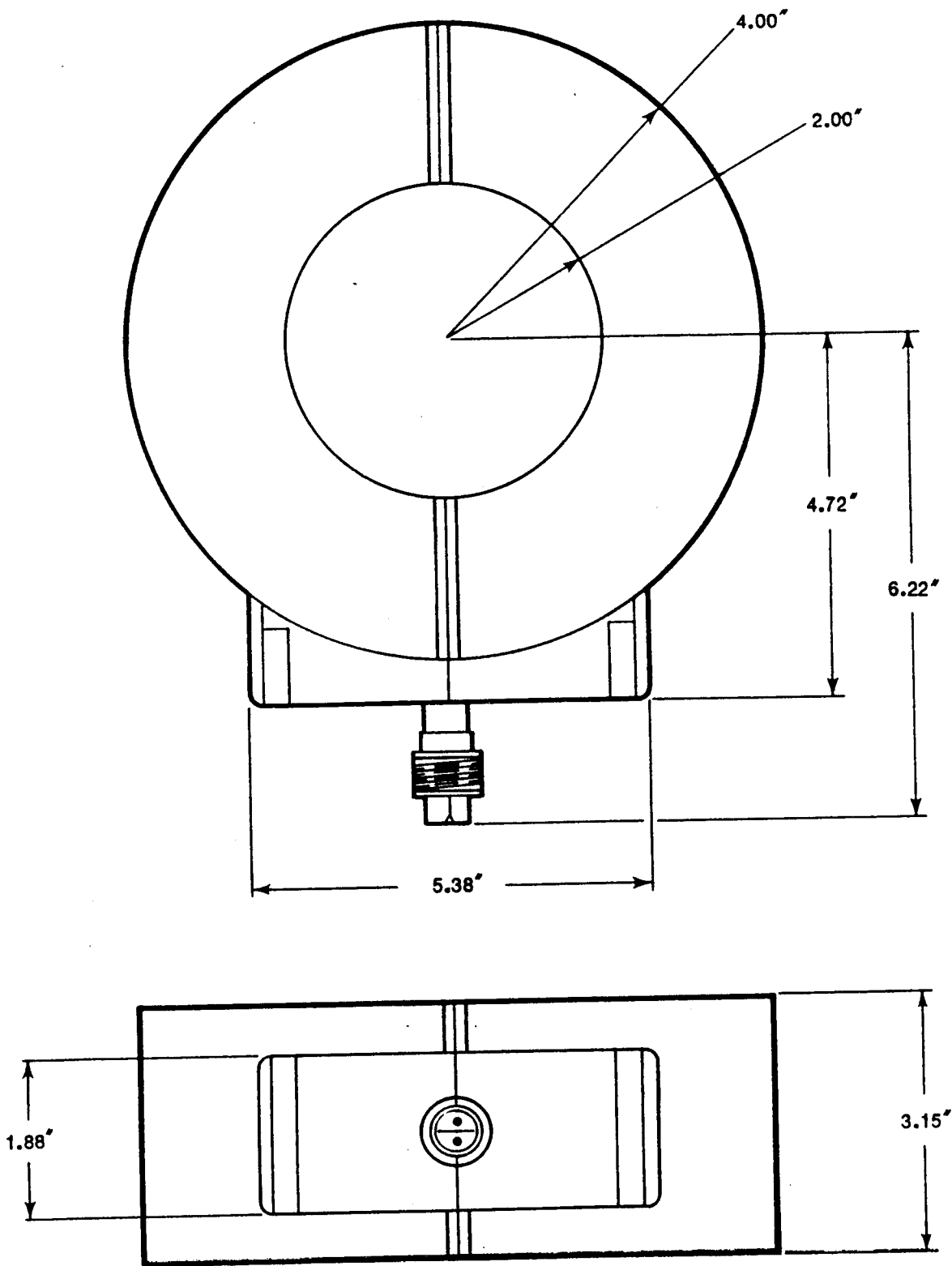


MUTUAL INDUCTANCE  $M = 10^{-8}$  H

APERTURE DIAMETER = 0.1 m

RISETIME ( $t_r$  10 TO 90)  $\leq 1.0$  ns

OUTPUT CONNECTOR: GR 874-TCC  
100/50 $\Omega$  TWINAXIAL



PRODYN MODEL ID-10